

KIWANIS CLUB OF WALNUT VALLEY NEWS

Join us every Friday at 7:00 a.m.

Holiday Inn
21725 Gateway Center; Diamond Bar, CA 91765

Serving the communities of Diamond Bar, Rowland Heights, and Walnut

Ralph Mendez – President of Record
Ray McMullen – Treasurer
Aggie Kee – Secretary
President Elect – Open

Board of Directors 2019-2020

Manuel Baca
Dick Clippinger
Richard Malooly
Matthew Martinez

Vol. 57/Issue 1

Aggie Kee, Editor

February 7, 2020

January 2020 President Ray McMullen welcomed members Salvador Martin Del Campo, Matt Martinez, Manuel Baca, Richard Malooly, Henry Cowles, and Aggie Kee. Sal led us in our Pledge of Allegiance; Aggie Kee, our Invocation; and Richard Malooly, our patriotic song. Guests joining us today from Mt. San Antonio Community College Circle K were President Natalie and Historian Skyler. Stella Son joined us today as our speaker on the topic of orchid culture.



Stella Son, the Orchid Lady

Our Monthly Board Meetings are regularly held the first Wednesday of each month at 6:30 p.m. at the home of Ray McMullen.

March 4.....April 1.....May 6.....June 3
July 1.....August 5.....September 2

Please continue of Page 2.

KIWANIS CLUB OF WALNUT VALLEY NEWS

Join us every Friday at 7:00 a.m.

Holiday Inn
21725 Gateway Center; Diamond Bar, CA 91765

Serving the communities of Diamond Bar, Rowland Heights, and Walnut

Ralph Mendez – President of Record
Ray McMullen – Treasurer
Aggie Kee – Secretary
President Elect – Open

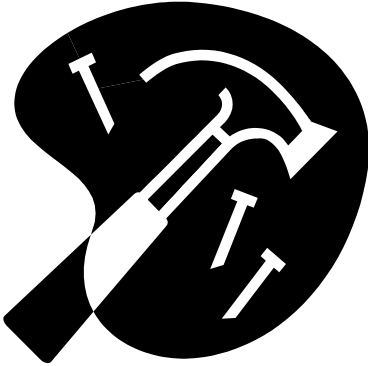
Board of Directors 2019-2020

Manuel Baca
Dick Clippinger
Richard Malooly
Matthew Martinez

Vol. 57/Issue 1, Page 2

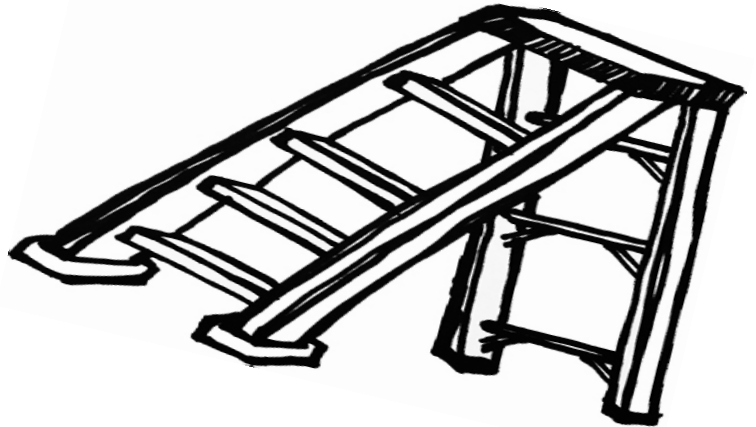
Aggie Kee, Editor

February 7, 2020



The city of Diamond Bar is moving forward on a “Neighbors Helping Neighbors” program under the direction of the city

Code Enforcement officer. We have made a contribution to funding the project and will provide volunteer hours when all arrangements are in place. Work may include landscaping, painting, and repairs. Calling all handy” persons”!



Natalie Lopez asked for a donation of \$300.00 to help defray costs for attending the upcoming Circle K convention. We will review this request at our March Board Meeting. Natalie reports the disappointing news that following convention the Circle K at Mt. SAC will dissolve due to lack of interest in filling officer positions. Since Mt. SAC is a community college Natalie feels that the students are so focused on their studies for the short time that they are there that they do not have time for extracurricular responsibilities. Natalie will see that all Circle K materials will be returned to us for, hopefully, future use if the club should be reinstated.



Please see Page 3.

KIWANIS CLUB OF WALNUT VALLEY NEWS

Join us every Friday at 7:00 a.m.

Holiday Inn
21725 Gateway Center; Diamond Bar, CA 91765

Serving the communities of Diamond Bar, Rowland Heights, and Walnut

Ralph Mendez – President of Record
Ray McMullen – Treasurer
Aggie Kee – Secretary
President Elect – Open

Board of Directors 2019-2020

Manuel Baca
Dick Clippinger
Richard Malooly
Matthew Martinez

Vol. 57/Issue 1, Page 3

Aggie Kee, Editor

February 7, 2020

A winning opportunity was selected for Ray McMullen, but the Joker was out of the room!
One dollar was donated to the PTP fund. Hail, Kiwanis!



DTM

THURSDAY, FEBRUARY 13, 2020

5:45 P.M.

CORTEZ PARK COMMUNITY AND SENIOR CENTER

2501 E. CORTEZ STREET

WEST COVINA



Welcome to our newest members. When badge, pin, and certificate of membership arrive, we will hold an official installation attended by Lt.-Governor Lon Salgren.

Henry Cowles

Bill Rawlings

Please continue on Page 4.

KIWANIS CLUB OF WALNUT VALLEY NEWS

Join us every Friday at 7:00 a.m.

Holiday Inn
21725 Gateway Center; Diamond Bar, CA 91765

Serving the communities of Diamond Bar, Rowland Heights, and Walnut

Ralph Mendez – President of Record
Ray McMullen – Treasurer
Aggie Kee – Secretary
President Elect – Don Ruh

Board of Directors 2019-2020

Manuel Baca
Dick Clippinger
Richard Malooly
Matthew Martinez

Vol. 57/Issue 1/Page 4

Aggie Kee, Editor

February 7, 2020

CELEBRATIONS & ACTIVITIES			PROGRAMS
02/15	Key Club Division 35E Serve-a-thon (Chaperones needed)		
02/16	Key Club Division 35E program for foster children (Chaperones needed)		
02/29	Key Club Division 35E DCM (Chaperones needed)		
03/04	Walnut Valley Board Meeting		
03/07	Governor's Visit, The Monrovia, 12:00-3:00 p.m. (Luncheon)		<p>==2020-2021 ELECTIONS COMING IN MAY==</p> <p>Please be thinking about positions you would like to fill.</p>
03/08	Key Club Division 35E work at LA Marathon (Chaperones needed)		
03/12	Troop Packing, 5:45 p.m.-7:30 p.m., Williams Education Center, Glendora		
<p>“Plans are only good intentions unless they immediately degenerate into hard work.”</p> <p>---Peter Drucker---</p>			

Please visit us at www.walnutvalleykiwanis.org

